

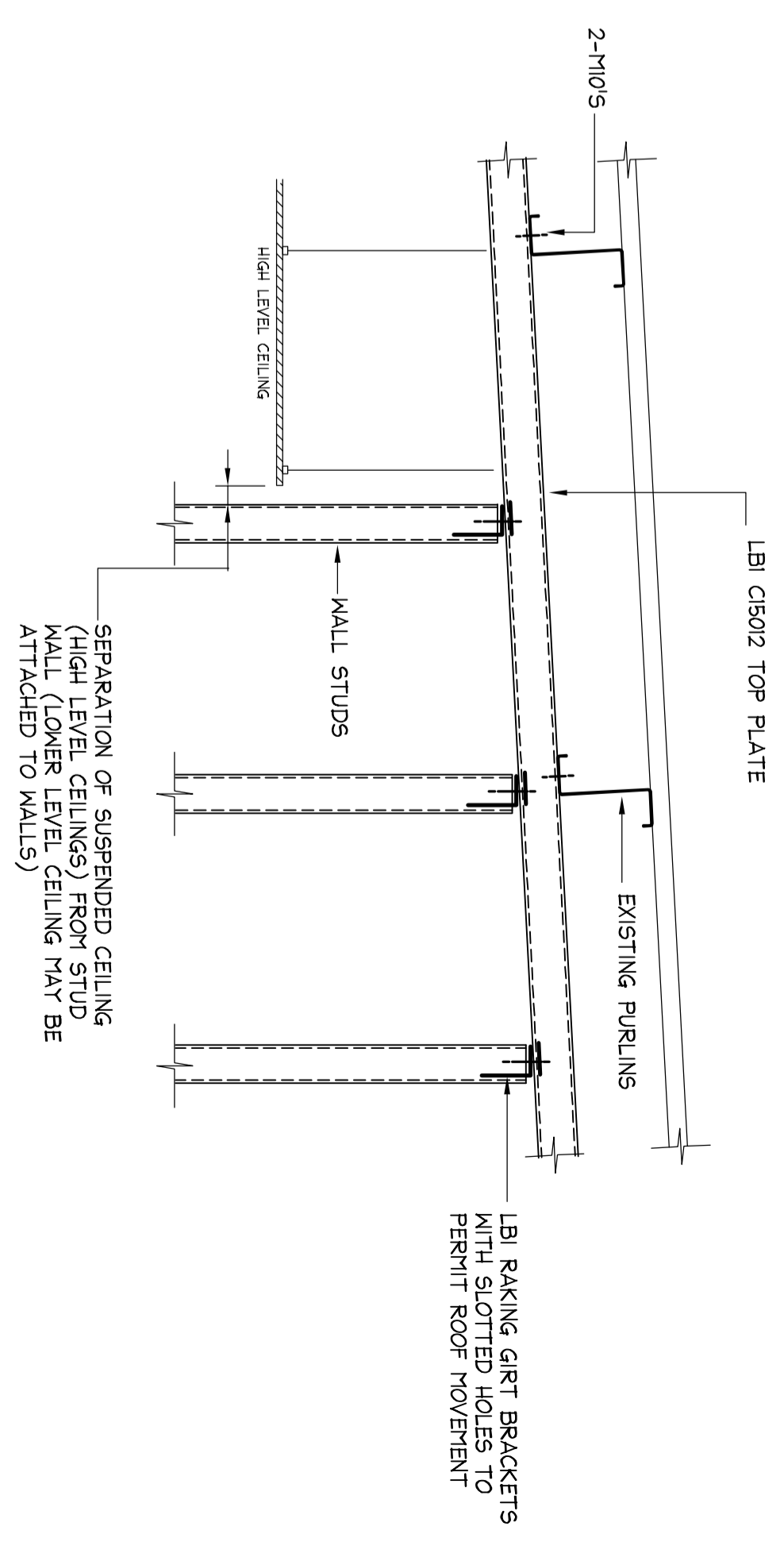
LOW LEVEL CEILING PLAN

SCALE = 1 : 100

NOTE: HIGH LEVEL CEILINGS TO BE SUSPENDED

MEMBER SCHEDULE:

- CJ - LBI C1002 - CEILING JOISTS AT 450 CTS
 - HB - 2 x LBI C1502 BACK TO BACK - HANGING BEAM
 - FCB - 2 x LBI C1502 TO SUPPORT FAN COIL UNIT
- CONFIRM LOCATION AT TIME OF INSTALLATION



WALL/ROOF CONNECTION DETAIL

SCALE = 1:10

- NOTES:**
1. ALL DIMENSIONS TO BE VERIFIED ON SITE BY BUILDER BEFORE COMMENCING WITH WORK.
 2. FOR GENERAL NOTES AND DRAWING SCHEDULE REFER TO DRAWING NUMBER: S01.

Date:	Rev:	Amendment:

DOCUMENT CERTIFICATION

I am a qualified Structural/Civil Engineer.

I hold the following qualifications:

B.E.(Civil), MIEAust, P.Eng
 Institute of Engineers' Tembership No. 194677

I hereby state that this drawing is in compliance with the provisions of the Building Code of Australia and/or relevant Australian/Industry Standards.

Date: **Stewart McGeady**
 (Director Northern Beaches Consulting Engineers)

NORTHERN BEACHES Consulting Engineers P/L

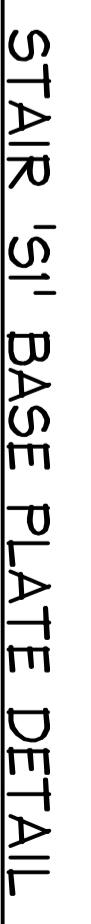
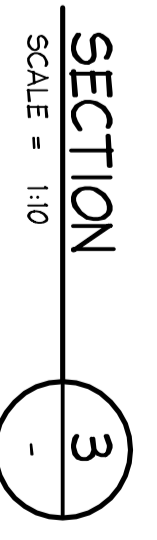
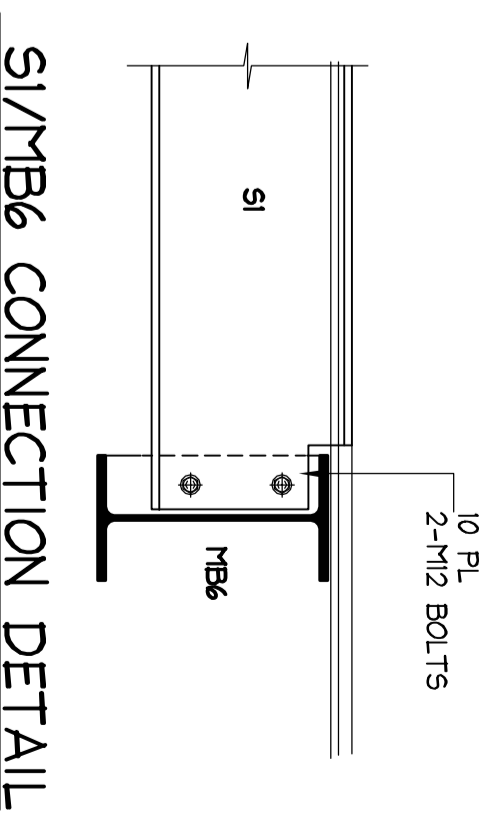
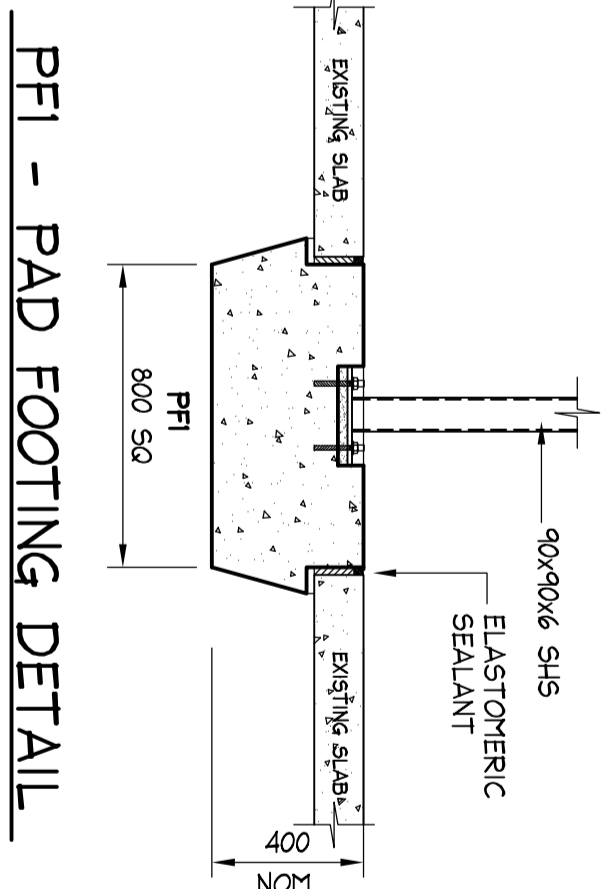
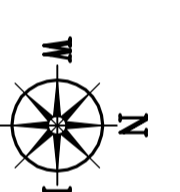
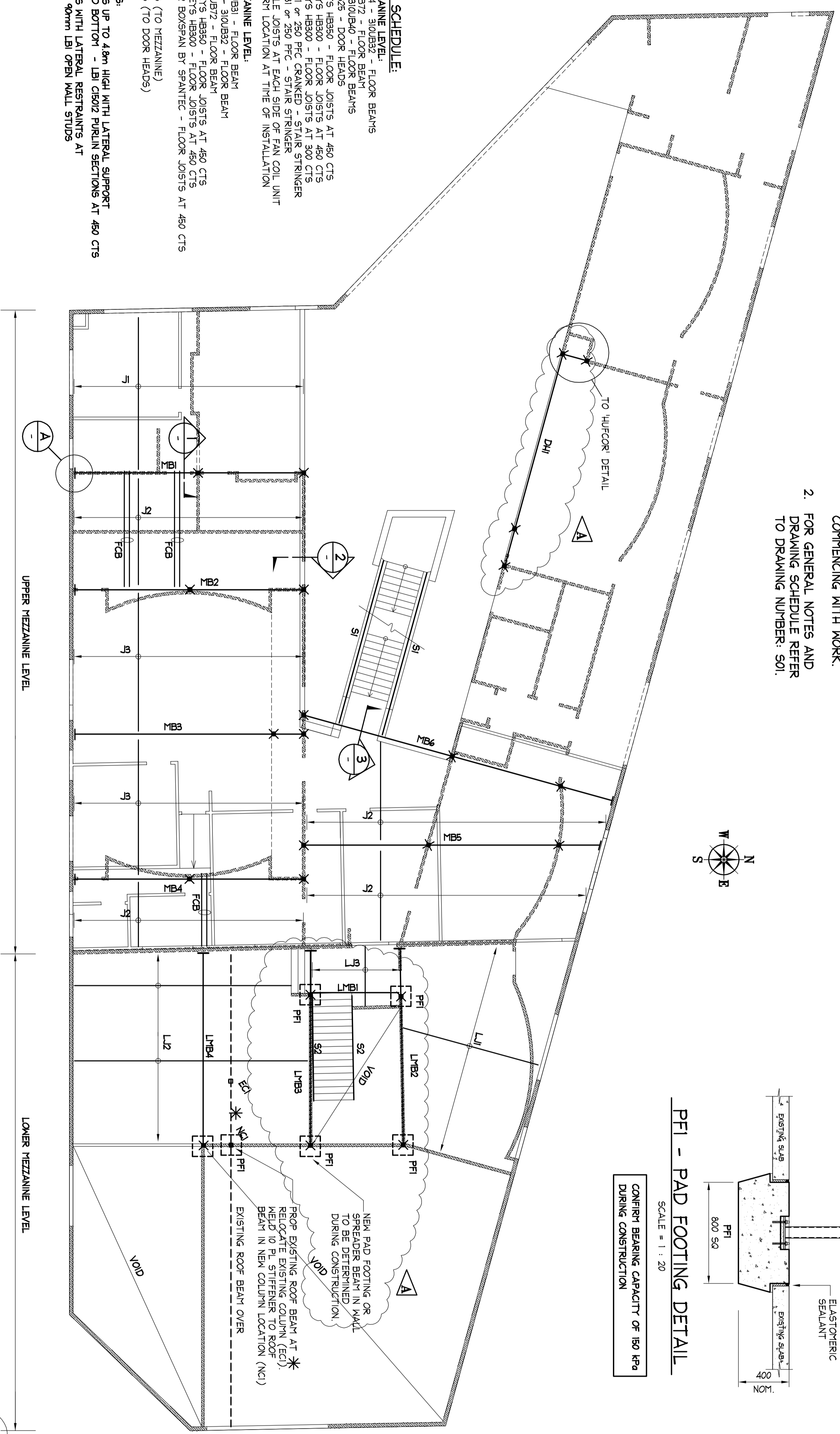
A.C.N. 075 721 616 A.B.N. 24 075 121 616
 Suite 207, 30 FISHER ROAD
 DEER WHarf, N.S.W. 2099
 Ph: (02) 9984 7000 Fax: (02) 9984 7444
 e-mail: info@nbcengineering.com.au
 web page: www.nbcengineering.com.au

Project: **PROPOSED ALTERATIONS at: 1-3 CASUA DRIVE VARSITY LAKES for: UG QLD**

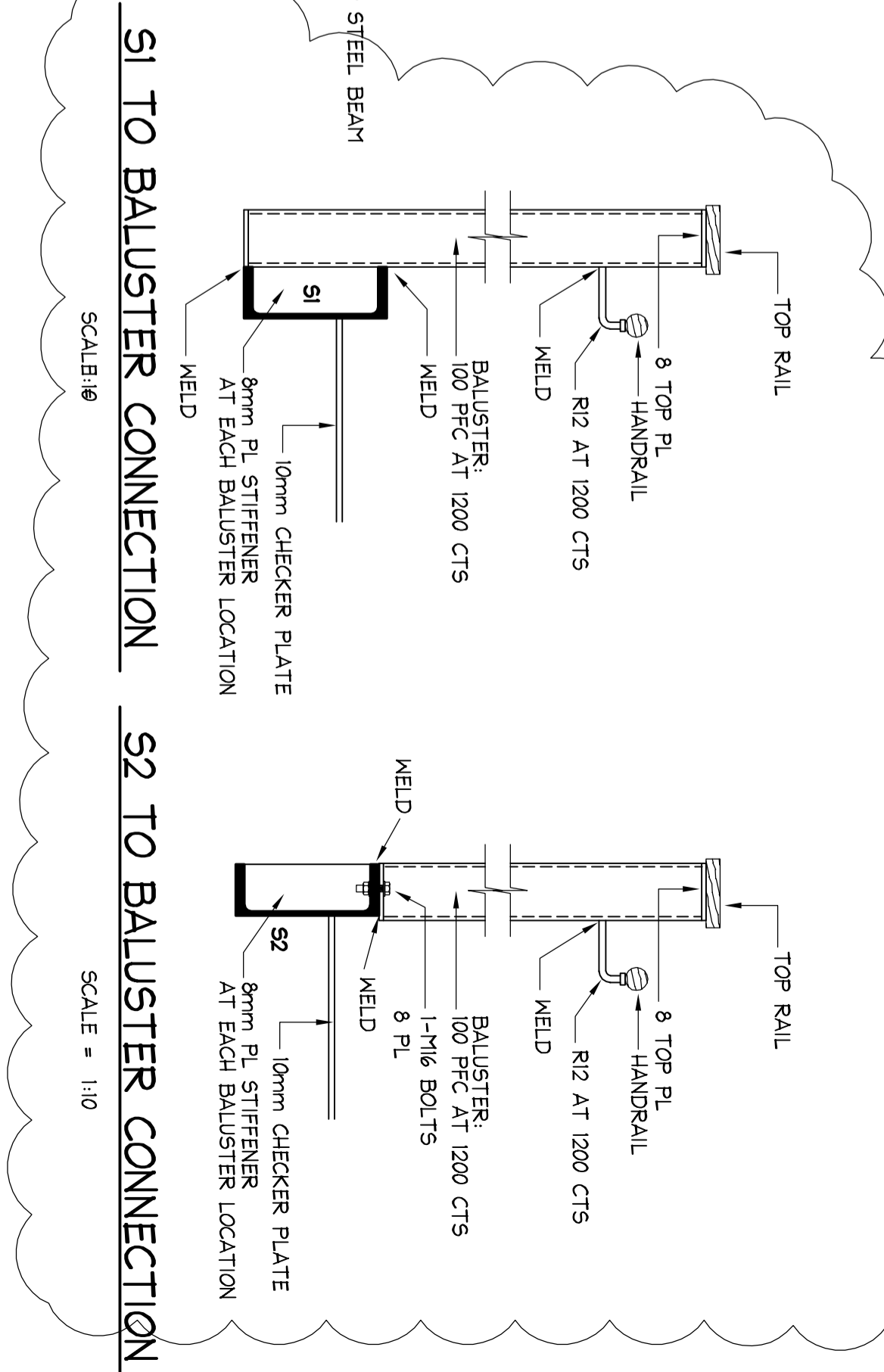
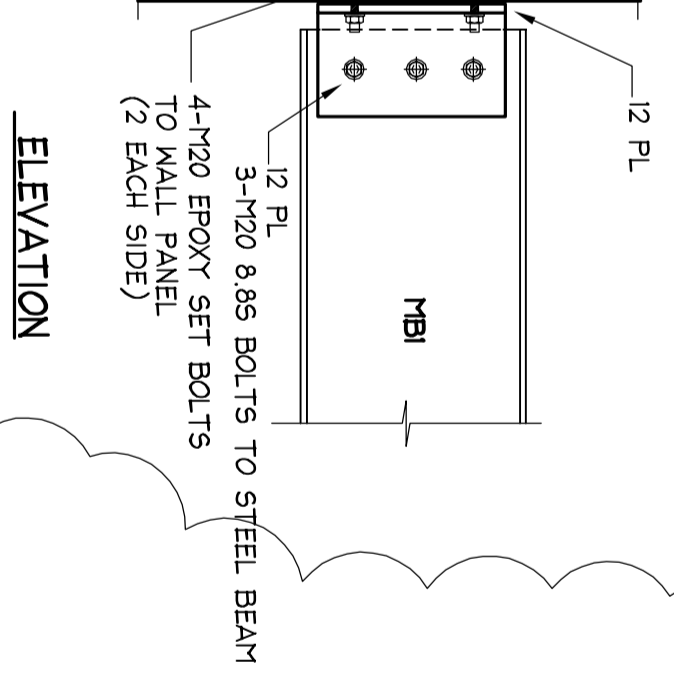
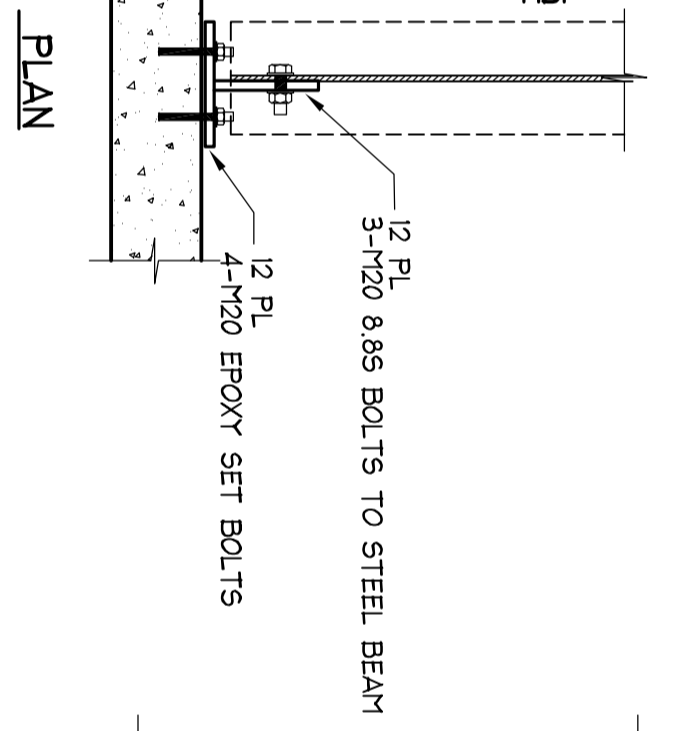
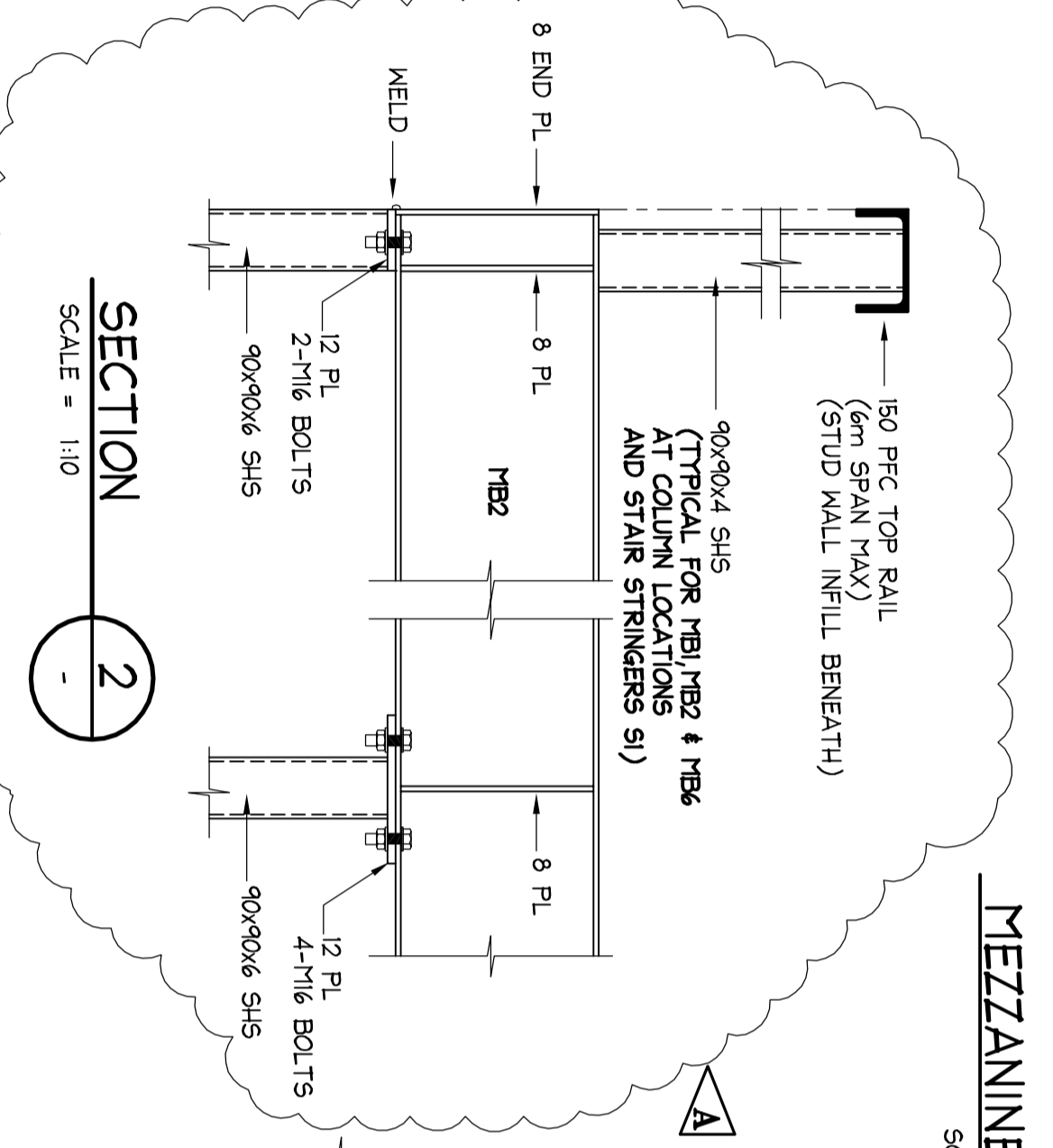
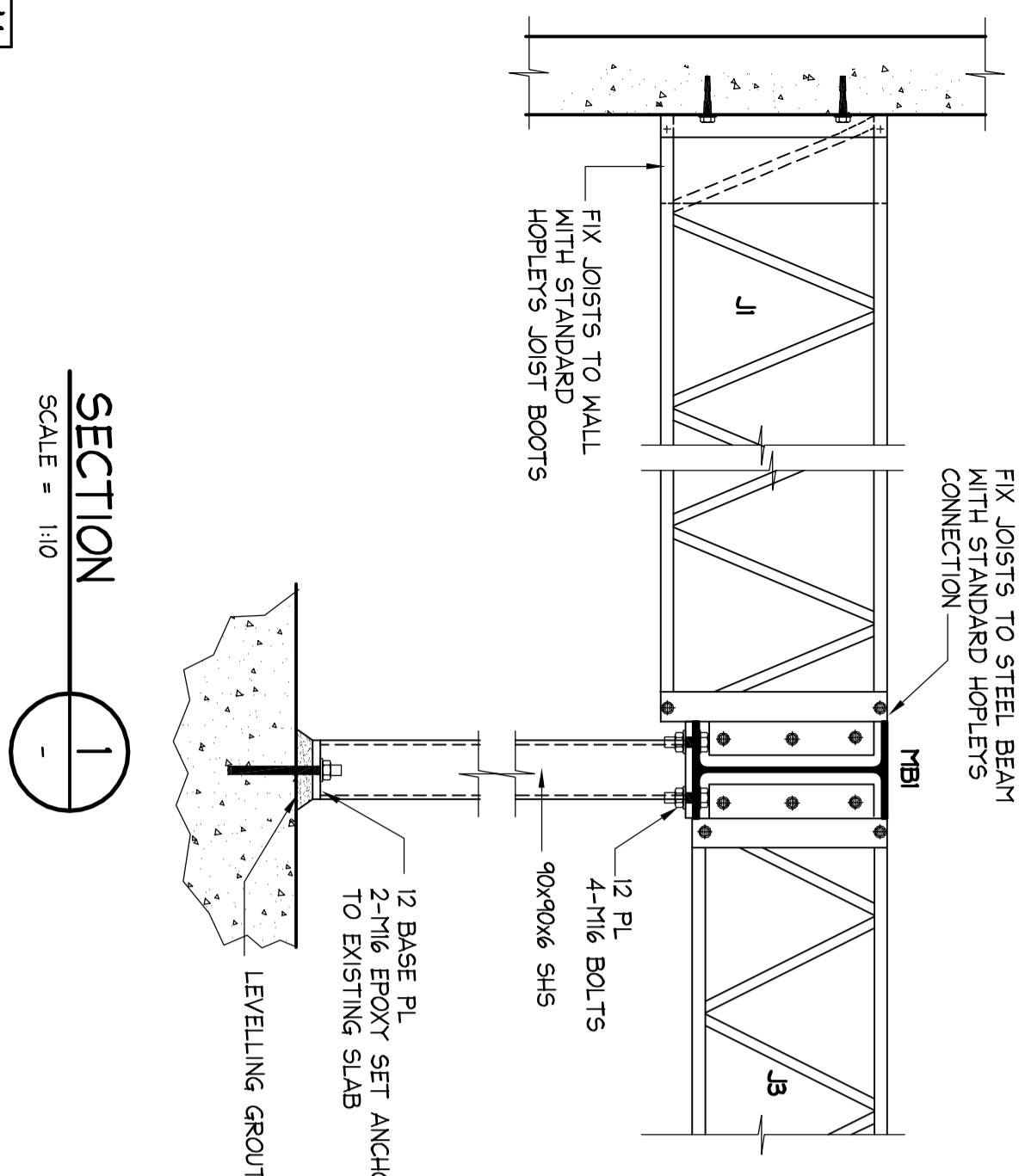
Drawing Title: **LOW LEVEL CEILING PLAN & DETAILS**

Date:	Drawn:	Checked:
NOV 07	MC	
Job No:	Drawing No:	Rev:
071014	S03	A

- NOTES:**
1. ALL DIMENSIONS TO BE VERIFIED ON SITE BY BUILDER BEFORE COMMENCING WITH WORK.
 2. FOR GENERAL NOTES AND DRAWING SCHEDULE REFER TO DRAWING NUMBER: S01.



MEZZANINE FRAMING PLAN
 SCALE = 1 : 100



DOCUMENT CERTIFICATION

I am a qualified Structural/Civil Engineer.
 I hold the following qualifications:
 B.E (Civil) MEMBERSHIP No. 194677
 Institute of Engineers' Membership No. 194677
 I hereby state that this drawing is in compliance with the provisions of the Building Code of Australia and/or relevant Australian/Industry Standards.

Date: **Stewart McGeedy**
 (Director - Northern Beaches Consulting Engineers)

NORTHERN BEACHES Consulting Engineers PL
 A.C.N. 076 121 516 A.B.N. 24 076 121 516
 Suite 207, 50 FISHER ROAD
 DEERWHY NSW, 2089
 Ph: (02) 9984 7000 Fax: (02) 9984 7444
 e-mail: info@nbcengineering.com.au
 web page: www.nbcengineering.com.au

PROPOSED ALTERATIONS
 at: 1-3 CASUA DRIVE
 VARSITY LAKES
 for: UG QLD

MEZZANINE PLAN & DETAILS

Date:	NOV 07	Drawn:	SM	Drawn:	MC	Checked:	
Job No:	071014	Drawn No:	S02	Drawn No:	S02	Checked:	A